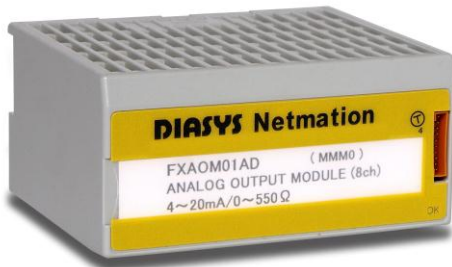


# FXAOM01AD AO module

ControlNet™ FLEX I/O™ 4~20mA/0~20mA outputs : 8

\*ControlNet™ is ControlNet International's registered trademark.  
\*FLEX I/O™ is Rockwell Automation's registered trademark.



## ■ Outline

- \* Number of outputs: 8 (4~20mA/0~20mA)
- \* Load resistance : 0~550Ω
- \* Duplicated correspondence
- \* FLEX I/O™ / ControlNet™ LAN compatible

ITEM	SPECIFICATION
Number of outputs	8
Isolation	Individual
Output range	4~20mA 0~20mA
Resolution	12 bits
Data format	2' s complement
Data refresh cycle	12ms
Relative accuracy	± 0.1%FSD
Temperature drift	Less than ± 100ppm / °C
Load resistance	0~550Ω
Self-diagnostic functions	Watchdog timer Power supply voltage low Connector omission for mutual monitoring cable. Bus time-out Read back abnormal
Indicator	LED×1 3 modes Green (Control) Yellow (Standby) Red (Abnormal)
Compatible terminal bases	1794 - TB3/TB3S 1794 - TBN/TBNF
Dielectric strength	AC500V Between output terminal and FG (1min.) Between output channels (1min.)
Environmental conditions	(Operating) Temperature: 0 ~ 55 °C Humidity: 35 ~ 95 % RH (No condensation)  (Storage) Temperature: -10 ~ 70 °C Humidity: Less than 80 % RH (No condensation)
Power supply	DC 24V±10% / Less than 40mA DC 5V / Less than 80mA (FLEX BUS)
Shock/Vibration	15G / 2G @ 10~500Hz
Dimensions	75mmD×46mmH×94mmW

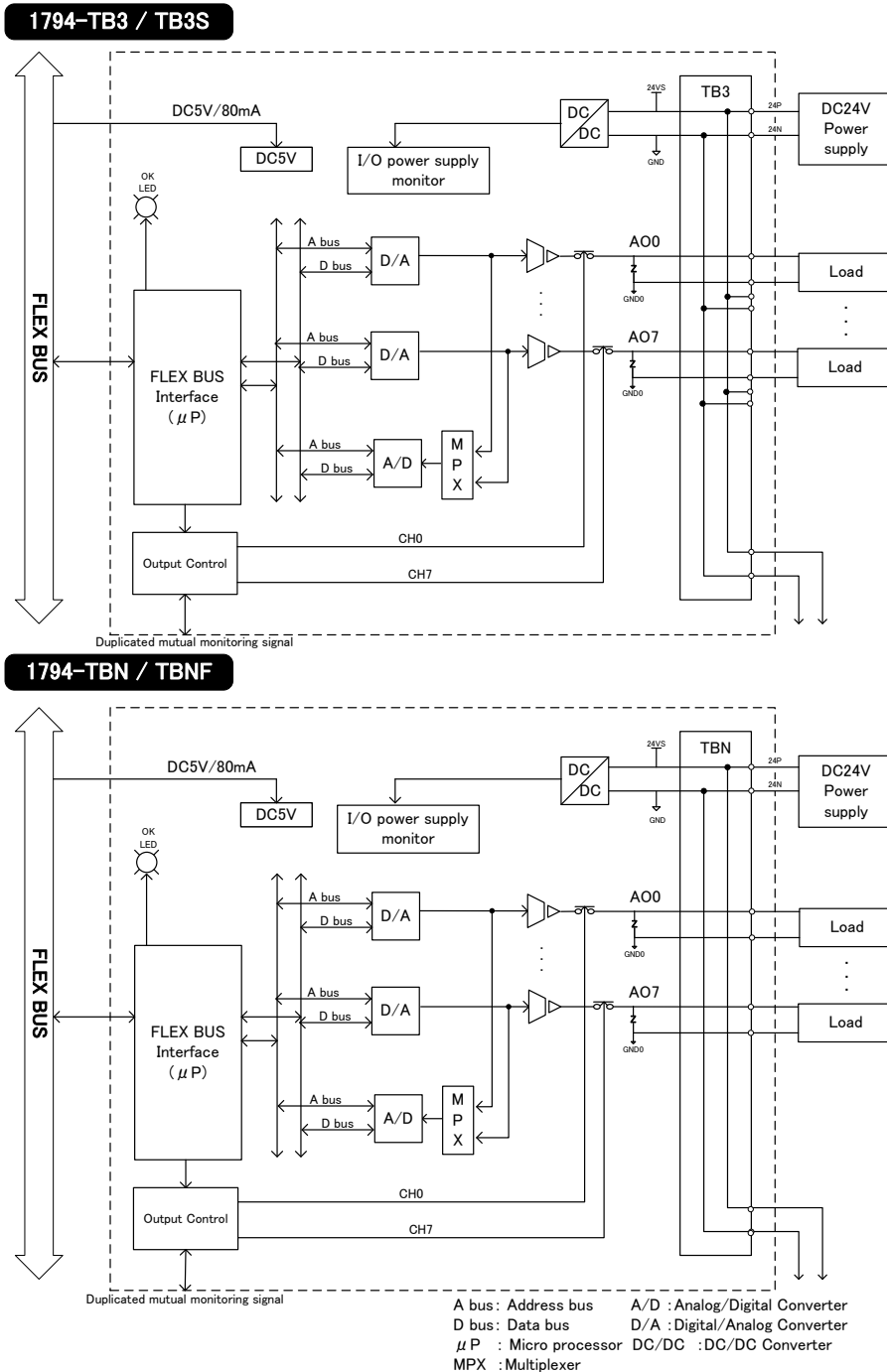
This product incorporates technology which is licensed from Rockwell Automation Technologies, Inc. Rockwell Automation Technologies, Inc. has not technically approved, nor does it warrant or support this product. All warranty and support for this product and its application is provided solely by MITSUBISHI HITACHI POWER SYSTEMS, LTD.

# FXAOM01AD AO module

ControlNet™ FLEX I/O™ 4~20mA/0~20mA outputs : 8

\*ControlNet™ is ControlNet International's registered trademark.  
\*FLEX I/O™ is Rockwell Automation's registered trademark.

## FXAOM01AD block diagram



Please read the attached instruction manual carefully before use.  
Reproduction of this manual's contents in whole or in part without permission is prohibited.  
Please note the product introductions in this manual may be different from the real products due to product improvements etc.