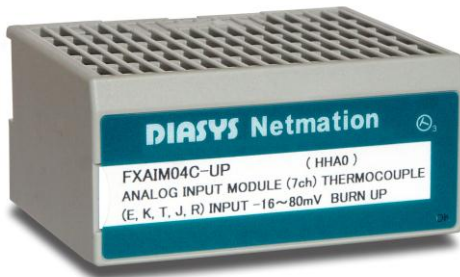


# FXAIM04C-UP AI module

ControlNet™ FLEX I/O™ Thermocouple inputs : 7

\*ControlNet™ is ControlNet International's registered trademark.  
\*FLEX I/O™ is Rockwell Automation's registered trademark.



## ■ Outline

- \* Number of inputs: 7 (Thermocouple)
  - T,R,J,K,E type correspondence
  - -16~80mV full scale
  - Burn-up when disconnected
- \* Cold junction compensation RTD (Pt100Ω) input : 1
- \* AD converter duplicated
- \* FLEX I/O™ / ControlNet™ LAN compatible

ITEM	SPECIFICATION
Number of inputs	7 (Thermocouple input) 1 (Cold junction compensation input)
Isolation	Individual
Input range	T : - 200 ~ 400°C R : - 50 ~ 1768°C J : - 200 ~ 1200°C K : - 200 ~ 1372°C E : - 200 ~ 1000°C RTD : - 10 ~ 100°C
Resolution	16 bits
Input impedance	More than 5MΩ
Data format	16 bits 2's complement
AD converter	Duplicated Selection system based on upper logics
Conversion type	Successive approximation
Conversion rate	5 μ s/ch
Data refresh cycle	50ms
Relative accuracy	± 0.1%FSD
Temperature drift	Less than ± 100ppm / °C
Input filter	(1) Analog filter (2) Digital filter
	About 2ms 0ms, 50ms, 100ms, 500ms (Program selectable, whole channels batch setting)
Wire break detection	Move to upper limit when break down
Self-diagnostic functions	Watchdog timer Power supply voltage low Bus time-out
Indicator	LED×1 2 modes Green (Normal) Red (Abnormal)
Compatible terminal bases	1794 - TB3/TB3S 1794 - TBN/TBNF
Dielectric strength	AC500V Between input terminal and FG (1min.) Between input channels (1min.)
Environmental conditions	(Operating) Temperature: 0 ~ 55 °C Humidity: 35 ~ 95 % RH (No condensation)  (Storage) Temperature: -10 ~ 70 °C Humidity: Less than 80 % RH (No condensation)
Power supply	DC 24V±10% / Less than 60mA DC 5V / Less than 80mA (FLEX BUS)
Shock/Vibration	15G / 2G @ 10~500Hz
Dimensions	75mmD×46mmH×94mmW

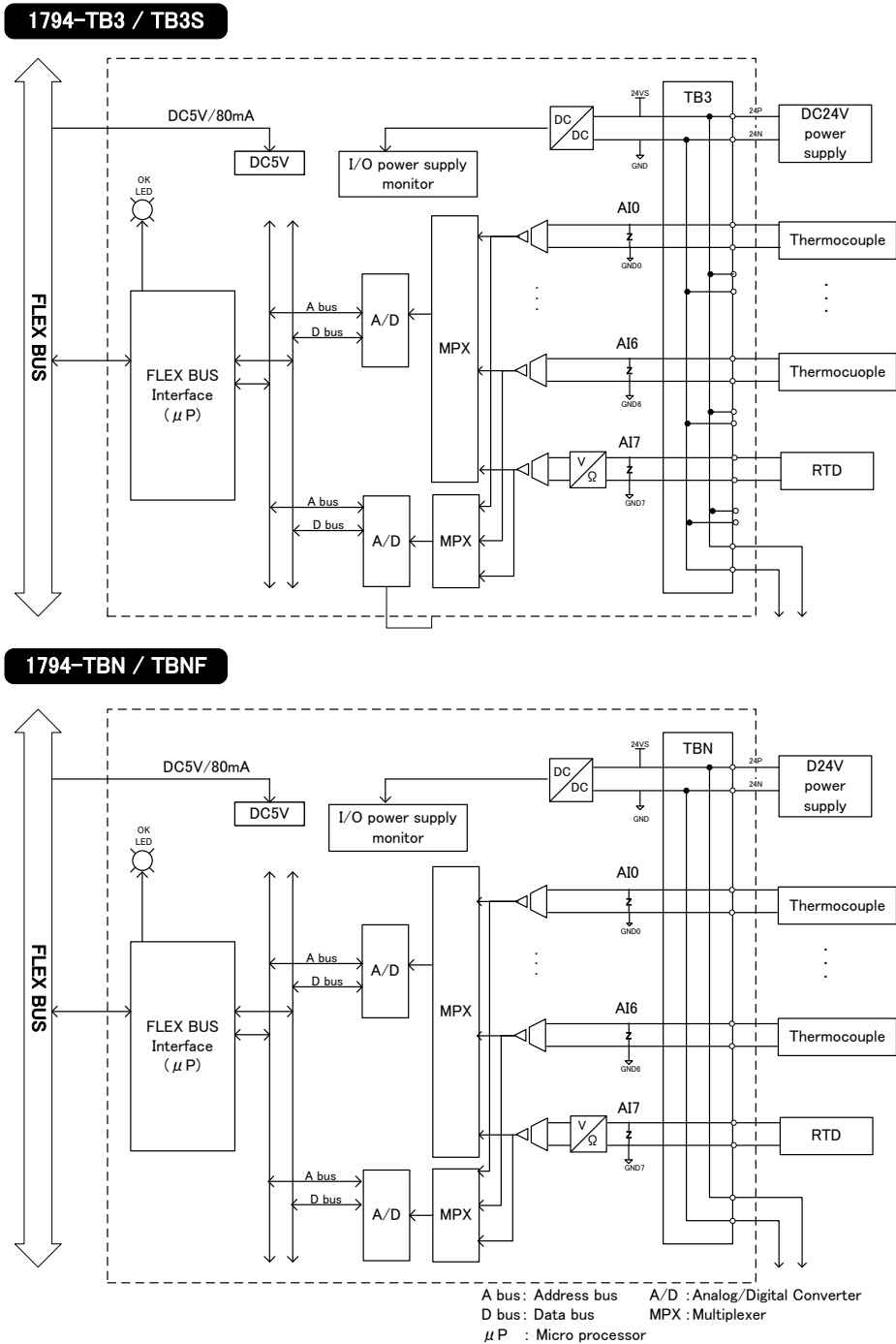
This product incorporates technology which is licensed from Rockwell Automation Technologies, Inc. Rockwell Automation Technologies, Inc. has not technically approved, nor does it warrant or support this product. All warranty and support for this product and its application is provided solely by MITSUBISHI HITACHI POWER SYSTEMS, LTD.

# FXAIM04C-UP AI module

ControlNet™ FLEX I/O™ Thermocouple inputs : 7

\*ControlNet™ is ControlNet International's registered trademark.  
\*FLEX I/O™ is Rockwell Automation's registered trademark.

## FXAIM04C-UP block diagram



Please read the attached instruction manual carefully before use.  
Reproduction of this manual's contents in whole or in part without permission is prohibited.  
Please note the product introductions in this manual may be different from the real products due to product improvements etc.