

# FXAIM03 AI module

ControlNet™ FLEX I/O™ 0~5VDC/1~5VDC inputs : 8

\*ControlNet™は ControlNet International's registered trademark.  
\*FLEX I/O™ is Rockwell Automation's registered trademark.



## ■ Outline

- \* Number of inputs : 8 (0~5VDC/1~5VDC)
- \* FLEX I/O™ / ControlNet™ LAN compatible

ITEM	SPECIFICATION
Number of inputs	8
Isolation	Individual
Input range	0~5VDC 1~5VDC
Resolution	16 bits
Input impedance	More than 5MΩ
Data format	16 bits 2's complement
Conversion type	Successive approximation
Conversion rate	5 μs/ch
Data refresh cycle	9.5ms
Relative accuracy	± 0.1%FSD
Temperature drift	Less than ± 100ppm / °C
Input filter (1)Analog filter (2)Digital filter	0ms 0ms, 50ms, 100ms, 500ms (Programs selectable, whole channels batch setting)
Self-diagnostic functions	Watchdog timer Power supply voltage low Bus time-out
Indicator	LED×1 2 modes Green (Normal) Red (Abnormal)
Compatible terminal bases	1794 - TB3/TB3S 1794 - TBN/TBNF
Dielectric strength	AC500V Between input terminal and FG (1min.) Between input channels (1min.)
Environmental conditions	(Operating) Temperature: 0 ~ 55 °C Humidity: 35 ~ 95 % RH (No condensation) (Storage) Ambient temperature: -10 ~ 70 °C Ambient humidity: Less than 80 % (No condensation)
Power supply	DC 24V±10% / Less than 40mA DC 5V / Less than 80mA (FLEX BUS)
Shock/Vibration	15G / 2G @ 10~500Hz
Dimensions	75mmD×46mmH×94mmW

This product incorporates technology which is licensed from Rockwell Automation Technologies, Inc. Rockwell Automation Technologies, Inc. has not technically approved, nor does it warrant or support this product. All warranty and support for this product and its application is provided solely by MITSUBISHI HITACHI POWER SYSTEMS, LTD.

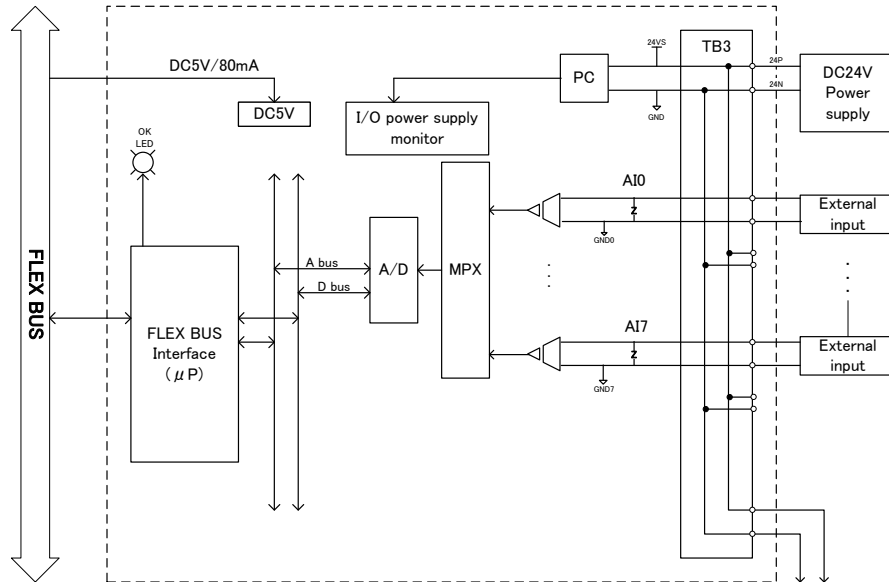
# FXAIM03 AI module

ControlNet™ FLEX I/O™ 0~5 VDC/1~5 VDC inputs : 8

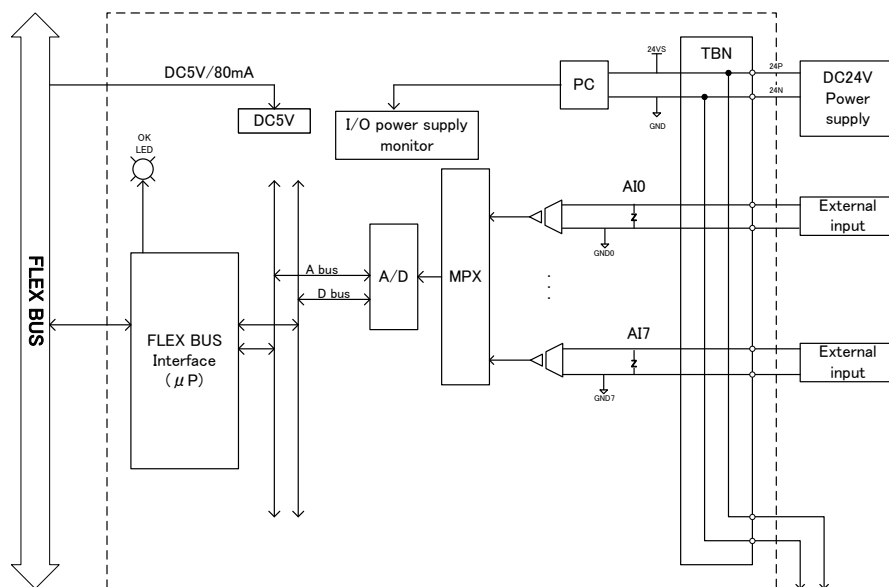
\*ControlNet™ は ControlNet International's registered trademark.  
\*FLEX I/O™ is Rockwell Automation's registered trademark.

## FXAIM03 block diagram

### 1794-TB3 / TB3S



### 1794-TBN / TBNF



A bus : Address bus    A/D : Analog/Digital Converter  
D bus : Data bus        MPX : Multiplexer  
μ P : Micro processor

Please read the attached instruction manual carefully before use.  
Reproduction of this manual's contents in whole or in part without permission is prohibited.  
Please note the product introductions in this manual may be different from the real products due to product improvements etc.