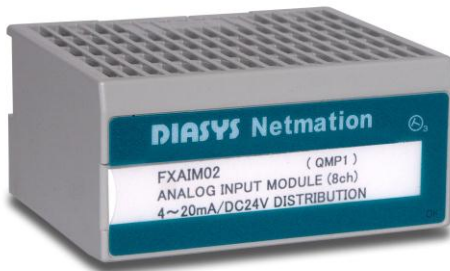


# FXAIM02 AI module

ControlNet™ FLEX I/O™ Transmitter inputs : 8

\*ControlNet™ is Controlnet International's registered trademark.  
\*FLEX I/O™ is Rockwell Automation's registered trademark.



## ■ Outline

- \* Number of inputs : 8 (0~20mA/4~20mA)
- \* Distributor type (DC24V)
- \* FLEX I/O™ / ControlNet™ LAN compatible

ITEM	SPECIFICATION
Number of inputs	8
Isolation	Individual (Signal) 8ch common (Transmitter power supply)
Input range	0~20mA 4~20mA
Resolution	16 bits
Input impedance	250 Ω
Data format	16 bits 2's complement
Conversion type	Successive approximation
Conversion rate	5 μs/ch
Data refresh cycle	9.5ms
Relative accuracy	± 0.1%FSD
Temperature drift	Less than ± 100ppm / °C
Current limit	28mA continuity
Input filter (1)Analog filter (2)Digital filter	5.5ms 0ms, 50ms, 100ms, 500ms (Program selectable, whole channels batch setting)
Self-diagnostic functions	Watchdog timer Power supply voltage low Bus time-out
Indicator	LED×1 2 modes Green (Normal) Red (Abnormal)
Compatible terminal bases	1794 - TB3/TB3S 1794 - TBN/TBNF
Dielectric strength	AC500V Between input terminal and FG (1min.) Between input channels (1min.)
Environmental conditions	(Operating) Temperature: 0 ~ 55 °C Humidity: 35 ~ 95 % RH (No condensation)  (Storage) Temperature: -10 ~ 70 °C Humidity: Less than 80 % RH (No condensation)
Power supply	DC 24V±10% / Less than 250mA DC 5V / Less than 80mA (FLEX BUS)
Shock/Vibration	15G / 2G @ 10~500Hz
Dimensions	75mmD×46mmH×94mmW

This product incorporates technology which is licensed from Rockwell Automation Technologies, Inc. Rockwell Automation Technologies, Inc. has not technically approved, nor does it warrant or support this product. All warranty and support for this product and its application is provided solely by MITSUBISHI HITACHI POWER SYSTEMS, LTD.

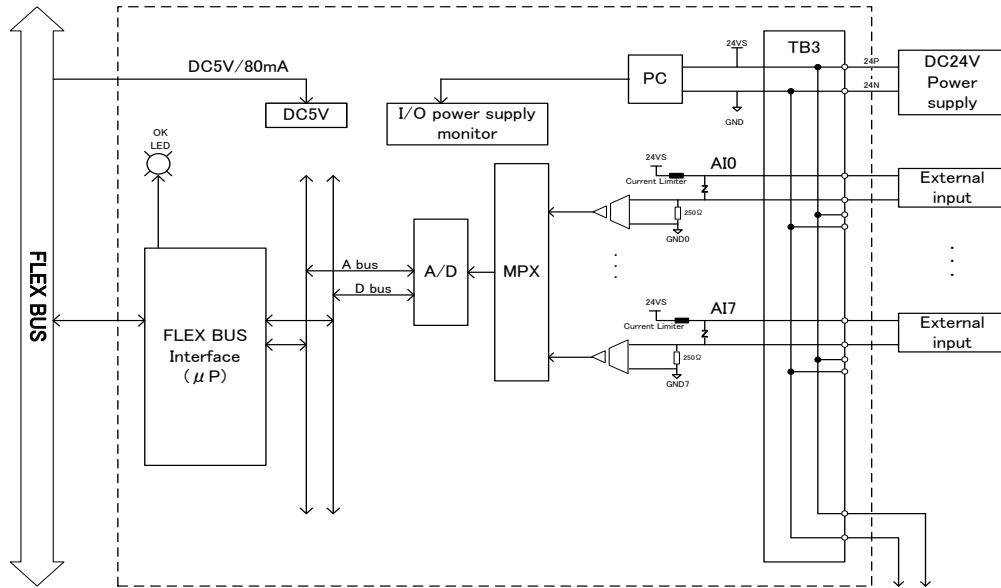
# FXAIM02 AI module

ControlNet™ FLEX I/O™ Transmitter inputs : 8

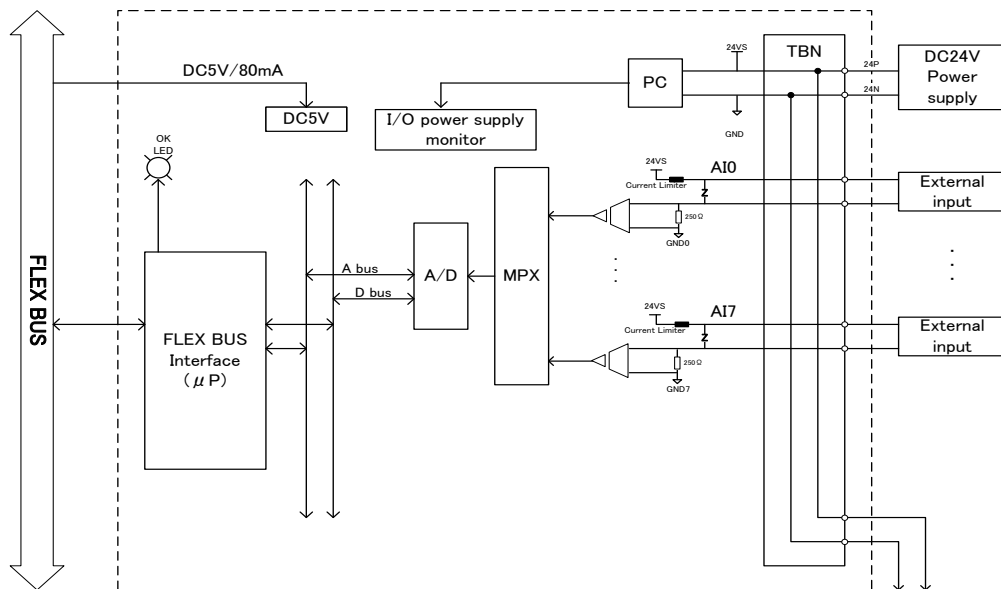
\*ControlNet™ is Controlnet International's registered trademark.  
\*FLEX I/O™ is Rockwell Automation's registered trademark.

## FXAIM02 block diagram

### 1794-TB3 / TB3S



### 1794-TBN / TBNF



A bus : Address bus      A/D : Analog/Digital converter  
D bus : Data bus        MPX : Multiplexer    μP : Micro processor

Please read the attached instruction manual carefully before use.  
Reproduction of this manual's contents in whole or in part without permission is prohibited.  
Please note the products introductions in this manual may be different from the real products due to product improvements etc.