

FXCPU03 CPU module

FLEX I/O™ CPU module, maximum 40 I/O modules correspondence

*FLEX I/O™ is Rockwell Automation's registered trademark.



■ Outline

- * Micro processor (SH-4)
- * 64~256 Mbytes SDRAM(ECC)
- * FLEX I/O™ bus interface
- * FLEX I/O™ extension bus interface
- * Ethernet interface × 3
- * CAN interface × 2
- * EIA/RS-232C interface × 1
- * CPU self-diagnostic function
- * CPU status indication
- * Duplicated correspondence

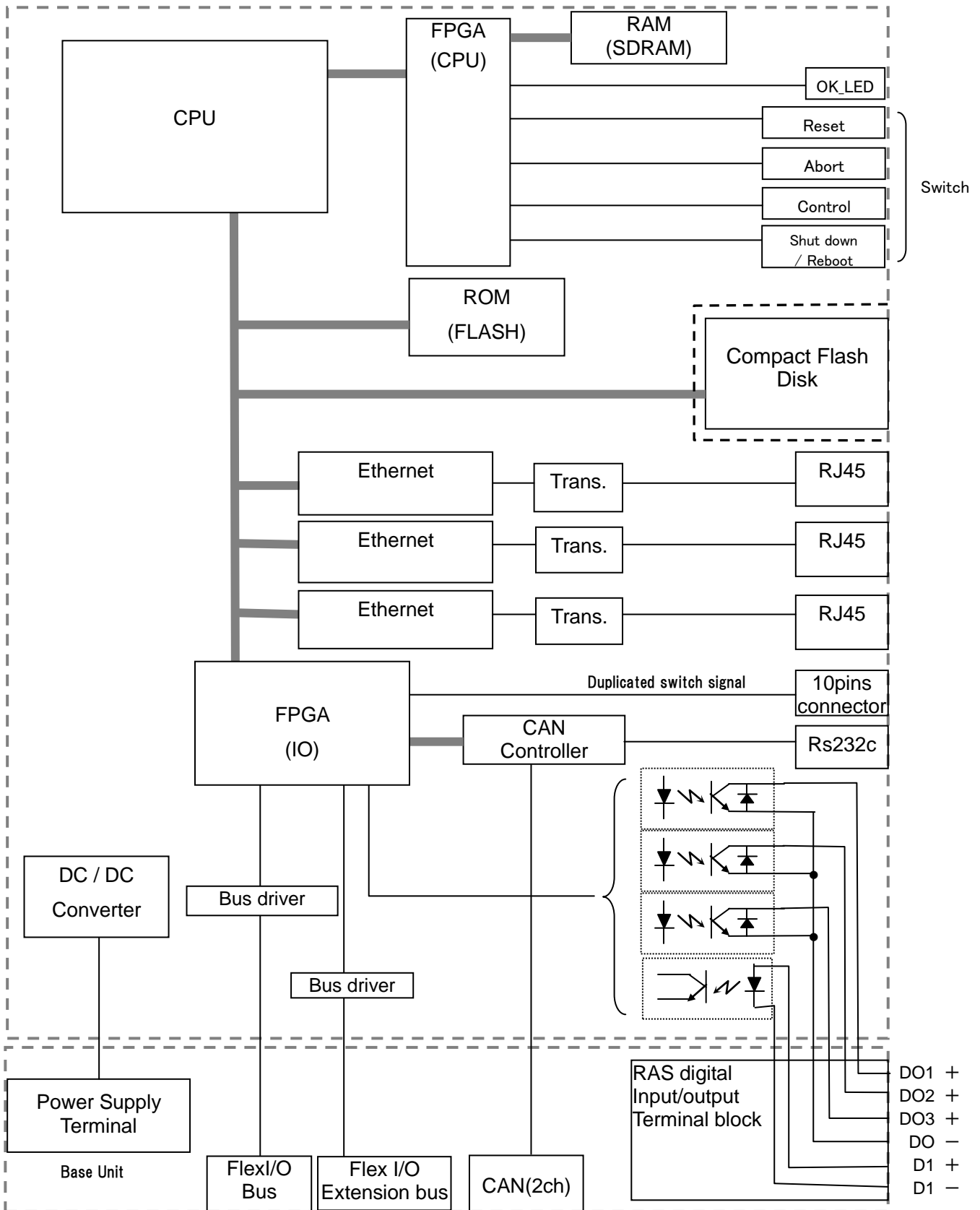
ITEM	SPECIFICATION
Number of Maximum connectable I/O module	40 (Using FXADP02)
CPU	SH4 micro processor
CPU clock	240MHz
CPU external bus clock	33MHz
Boot ROM	512KB
Compact Flash	64MB ~ 256MB(IDE bus mode) 256MB standard ※ Must use DIASYS designated products
Main memory	64MB ~ 256MB(SDRAM) (128MB with ECC standard implement)
Data protection function	ECC (1 bit error auto correction) mode standard
Interface	- FLEX I/O™ bus I/F × 1 - FLEX I/O™ extension bus I/F × 1 - Ethernet I/F × 3 (10/100Base-TX) - CAN I/F × 2 - Serial I/F × 1 (EIA/RS-232C) - RAS digital input × 1 (Photo coupler isolation , Maximum DC48V , 5.6mA) - RAS digital output × 3 (Photo coupler isolation , maximum DC48V , 120mA)
CPU self-diagnostic functions	CPU watchdog timer Power supply monitoring Connector monitoring Clock monitoring
CPU status indication (OK_LED)	Green (Control) Yellow (Standby) Red (OFFline) Off (Abnormal)
User interface	Push button (for operation) · RESET · ABORT · Control switch · Shut down / Reboot
Internal bus	PCIBUS compatible
Environmental conditions	(Operating) Temperature: 0 ~ 55 °C Humidity: 35 ~ 95 % RH (No condensation) (Storage) Temperature: -10 ~ 70 °C Humidity: Less than 80 % RH (No condensation)
Power supply	DC 24V ±10% / typ 1.0 A
Dimensions	Module 140 mmD × 46 mmH × 94 mmW Base unit 38 mmD × 92 mmH × 94 mmW ※ Including protrusions

FXCPU03 CPU module

FLEX I/O™ CPU module, maximum 40 I/O modules correspondence

*FLEX I/O™ is Rockwell Automation's registered trademark.

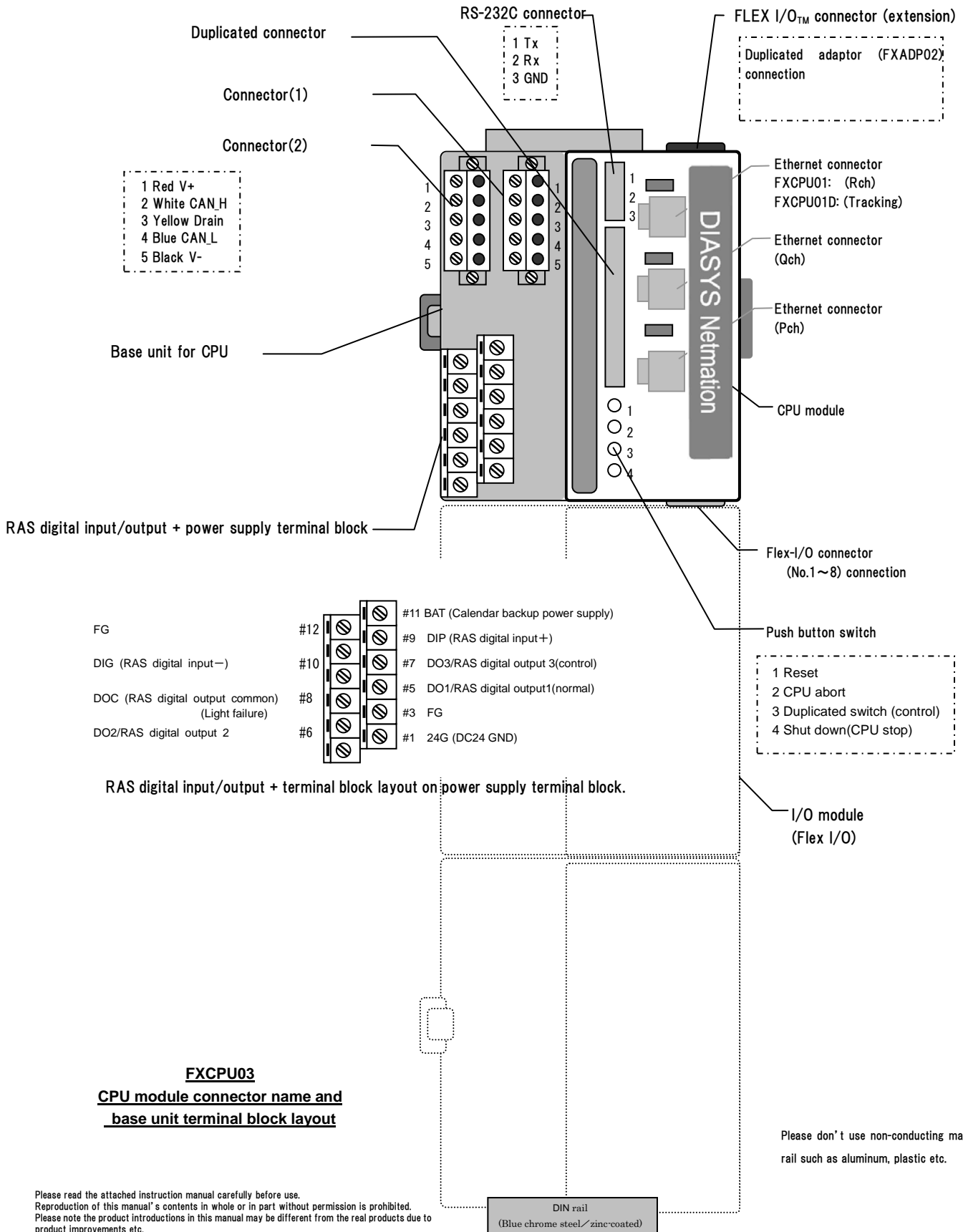
FXCPU03 block diagram



FXCPU03 CPU module

FLEX I/O™ CPU module, maximum 40 I/O modules correspondence

*FLEX I/O™ is Rockwell Automation's registered trademark.



FXCPU03

CPU module connector name and base unit terminal block layout

Please don't use non-conducting material DIN rail such as aluminum, plastic etc.

Please read the attached instruction manual carefully before use. Reproduction of this manual's contents in whole or in part without permission is prohibited. Please note the product introductions in this manual may be different from the real products due to product improvements etc.