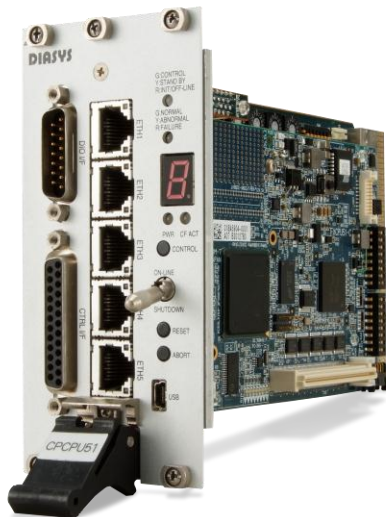


# CPIOS01 SIOS module

CompactPCI / D-Ring interface card

## ■ Summary



- \*Function : PCI system controller  
D-Ring interface
- \*CPU : Renesas HD6417751RBG240V  
(SH4-7751R)
  - CPU clock : 240MHz
  - CPU external bus clock : 80MHz
- \*Boot ROM : 512kB
- \*Main memory : DDR3-SDRAM DDR3-667  
2Gbit \_16bit width(with ECC)

# CPIOS01 SIOS module

CompactPCI / D-Ring interface card

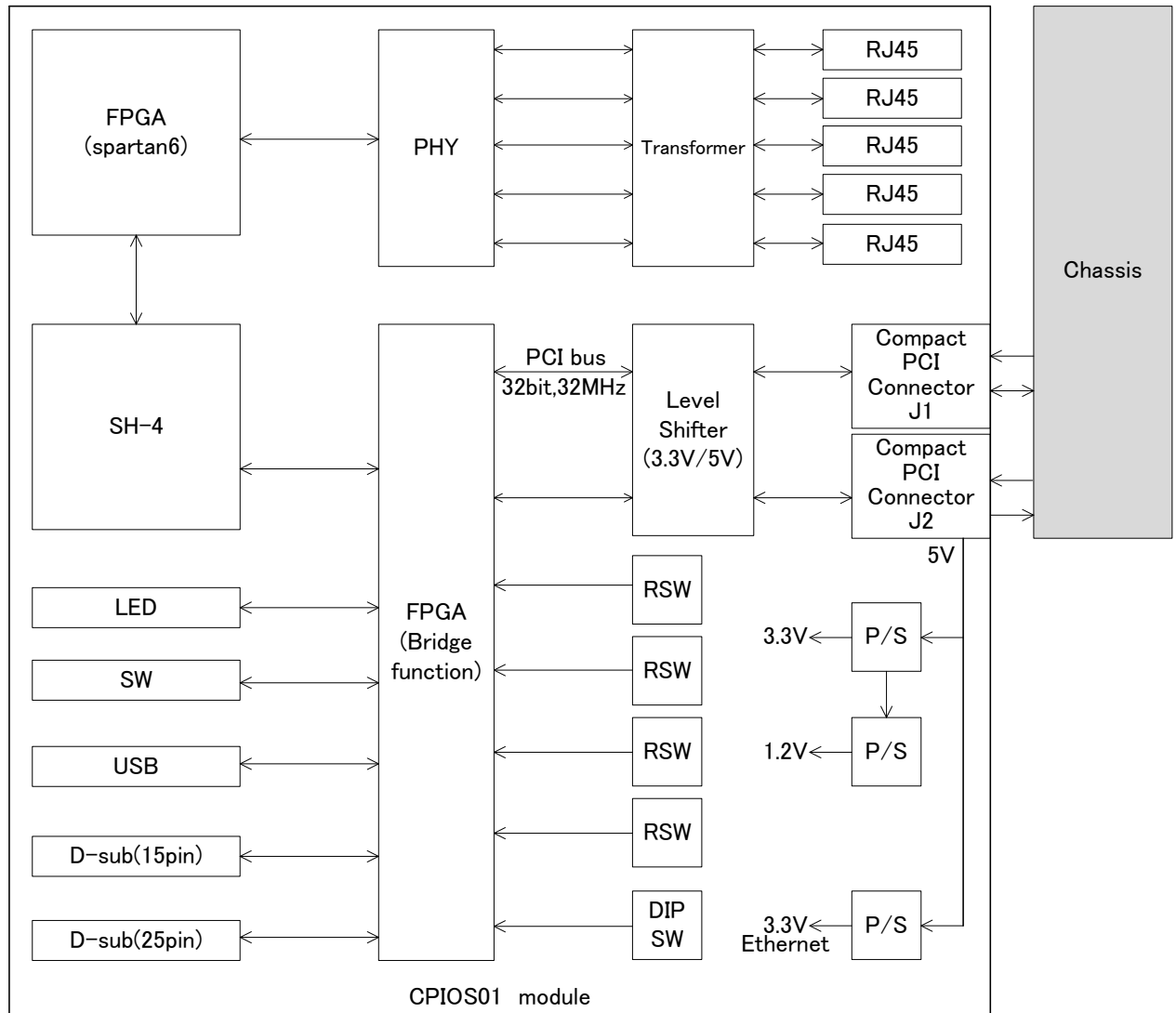
## ■ Specifications

ITEM		SPECIFICATION
Controller		Renesas Electronics SH4/240MHz Xilinx Spartan6 XC6SLX150
Communication rate		1000Mbps/1000BASE-T
Main memory1		DDR-667 2GB (DDR3-800 compatible with ECC)
Main memory2		DDR-667 2GB (DDR3-800 compatible with ECC)
External interface		Ethernet(1000Mbps) :2 Ethernet(100Mbps) :3 (unused) USB mini-B :1 Push switch :3 (Control/standby, Reset, Abort) Toggle switch :1 (On-line/shutdown) D-sub(25pin) :1 (Redundant status interface. Opto-isolation) D-sub(15pin) :1 (CPU normal signal, Expansion DIO, EDI time adjust. Opto-isolation)
On board switch		Rotary switch :4 (4bit_node No setting) Slide switch :1 (8bit, Priority of CPU single/Start control, Time server DI interrupt enable, PRSR# out enable, Clock error check, FPGA error check, CPSIO01/02 compatible mode)
Self-diagnostic functions		Power voltage check (3.3V, 1.8V, 1.5V, 1.23V) Clock abnormal check Heartbeat check CRC check(FPGA) ECC error check CPU clock stop check WDT check PCI bus abnormal check
Protection (Power supply protection)		Overvoltage protection Overcurrent protection Power supply backup for real time clock, 110 hours.
Indicator		7 SEG LED :1 (Red) CPU operation mode LED :1 (Red/Green) CPU status LED :1 (Red/Green) Power LED :1 (Red/Green) Compact flash access LED :1 (Red/Green)
Applicable chassis		CPCHS01、CPCHS02、CPCHS11、CPCHS21
Power supply		DC5V ±5% (Supply from backplane)
Environmental conditions	Module ambient temperature	(Operating) -5~60°C (Storage) -25~85°C
	Module ambient humidity	10~95%RH (No condensation)
Vibration		3.5mm @5Hz ~ 8.4Hz 1G @8.4Hz ~ 150Hz
Shock		15G 11ms
Current consumption		Less than 3.8A
Weight		0.40kg
Dimensions		174.4mmD x 128.7mmH x 60.6mmW (Except projection)

# CPIOS01 SIOS module

CompactPCI / D-Ring interface card

## ■ Block diagram



- RJ45 : Registered jack 45
- PHY : Physical layer chip
- FPGA : Field programmable gate array
- PCI : Peripheral component interconnect
- P/S : Power supply
- RSW : Rotary switch
- DIP SW : Dual In-line package switch
- LED : Light Emitting Diode
- SW : Switch
- USB : Universal serial bus
- D-sub : D-subminiature

No part of this catalog may be used or reproduced without prior permission.

Please be aware that due to product improvements and modifications, the product description in this catalog may differ in certain respects from the actual product.

This catalog may not be distributed or reproduced in whole or in part without permission.

In this catalog, the product name of other companies listed, a service name are trademark of each companies.