

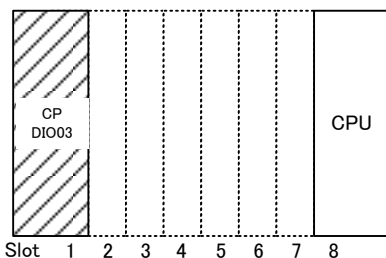
CPDIO03 System I/O card

CompactPCI system I/O card



■ Outline

- * 133Mbps Compact PCI bus
- * CPU abnormal diagnostic function
- * Duplicated CPU switch over function (control/standby)
- * CPU status indication
- * Auxiliary DI/O
 - digital input × 2
 - (Shared with 1pps input)
 - Digital output × 2
 - CPU normal output × 1
- * Takt signal
 - 1pps(pulse/second) input × 2
 - Takt signal output × 1
- * Slot insert position

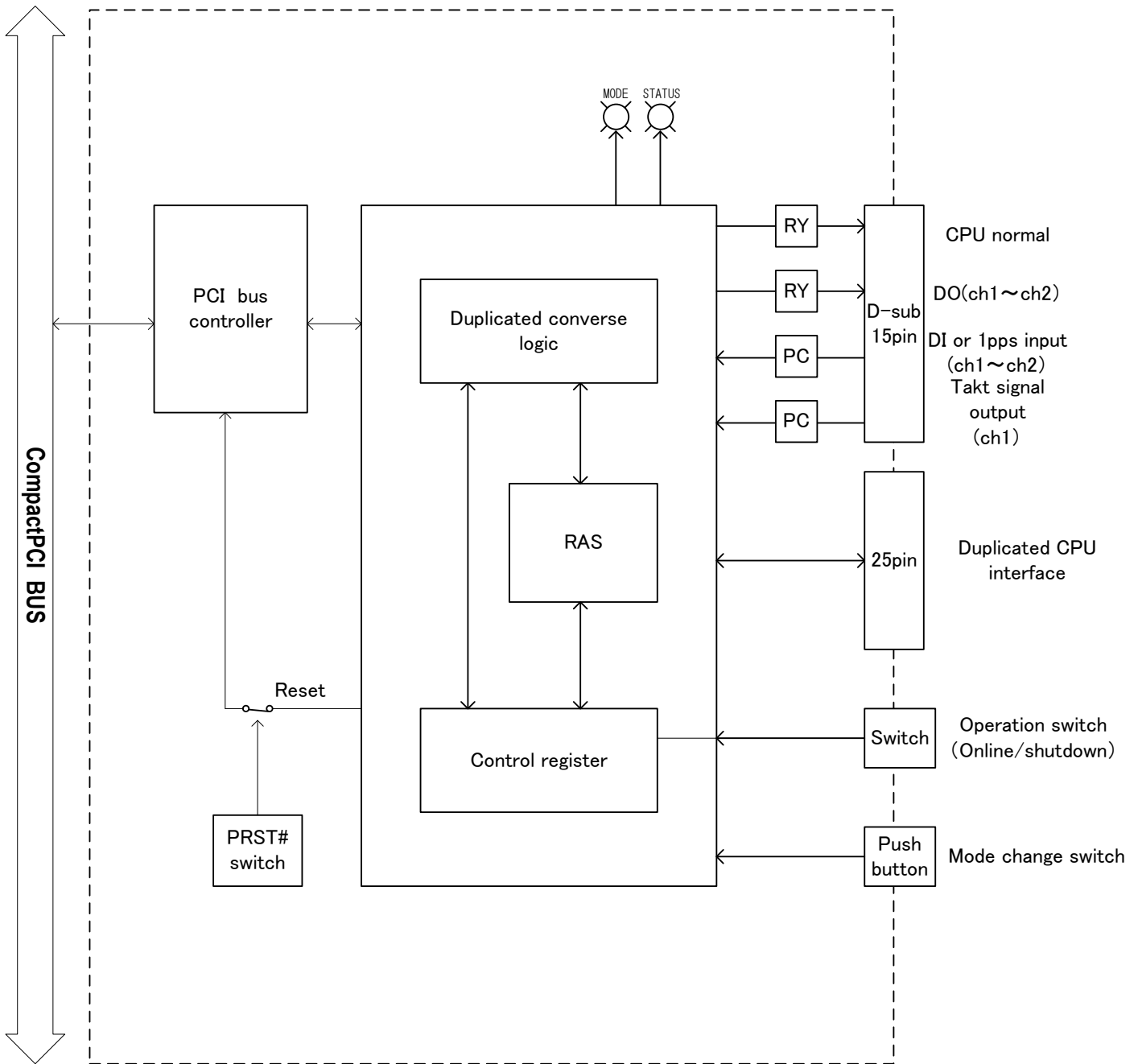


ITEM	SPECIFICATION
CPU self-diagnostic logic	CPU watchdog timer Power supply monitoring DC5V, DC3.3V (PCI bus) DC3.3V, DC2.5V (Internal) PCI bus monitoring CPU abnormal D-sub 15, D-sub 25 Connector (Loose, extension DIO) Clock monitor PCI device error Takt signal error
CPU operation mode indication	LED indication (4 modes) Green (Control) Yellow (Standby) Red flash (Init) Red (Offline)
CPU status indication	LED indication (3 modes) Green (Control) Yellow (Abnormal) Red (Failure)
Duplicated CPU status input/output signal	CPU Normal CPU Control mode CPU Control status CPU Standby mode CPU Initial setting finished Miner failure level -1 Miner failure level -2
Takt signal generation	1pps input × 2 Takt signal output × 1
Auxiliary DI/O	Digital input × 2 (share with 1pps input) Digital output × 2 CPU normal output × 1
Operation switch	Switches for selecting online/shut down
Mode transfer switch	Push button for control mode select
System status setting	Control mode priority switch CPU node number setting switch Single/duplicated setting switch DI interruption permit switch PRST# output permit switch
Bus standard	CompactPCI bus R2.1 PICMG 2.0 R2.1
Environmental conditions	(Operating) Temperature: 0 ~ 55 °C Humidity: 35 ~ 95 % RH (No condensation) (Storage) Temperature: -10 ~ 70 °C Humidity: Less than 80 % RH (No condensation)
Power supply	DC 5V ±5% / typ 1.0A
Dimensions	174 mmD × 128 mmH × 40 mmW (3U×2 slots)

CPDIO03 System I/O card

CompactPCI system I/O card

CPDIO03 block diagram



PC : photo coupler RY : relay

Please read the attached instruction manual carefully before use.
 Reproduction of this manual's contents in whole or in part without permission is prohibited.
 Please note the product introductions in this manual may be different from the real products due to product improvements etc.