

MBCPU03 CPU card

Multi-bus CPU card



■ Outline

- * Micro processor(SH4)
- * 64~256Mbytes SDRAM(ECC)
- * Shared memory 1Mbytes
- * RS232C
- * iSBX extension connector
- * Ethernet×3
- * Self-diagnostic functions
- * Multi-bus(IEEE-796)P1/P2

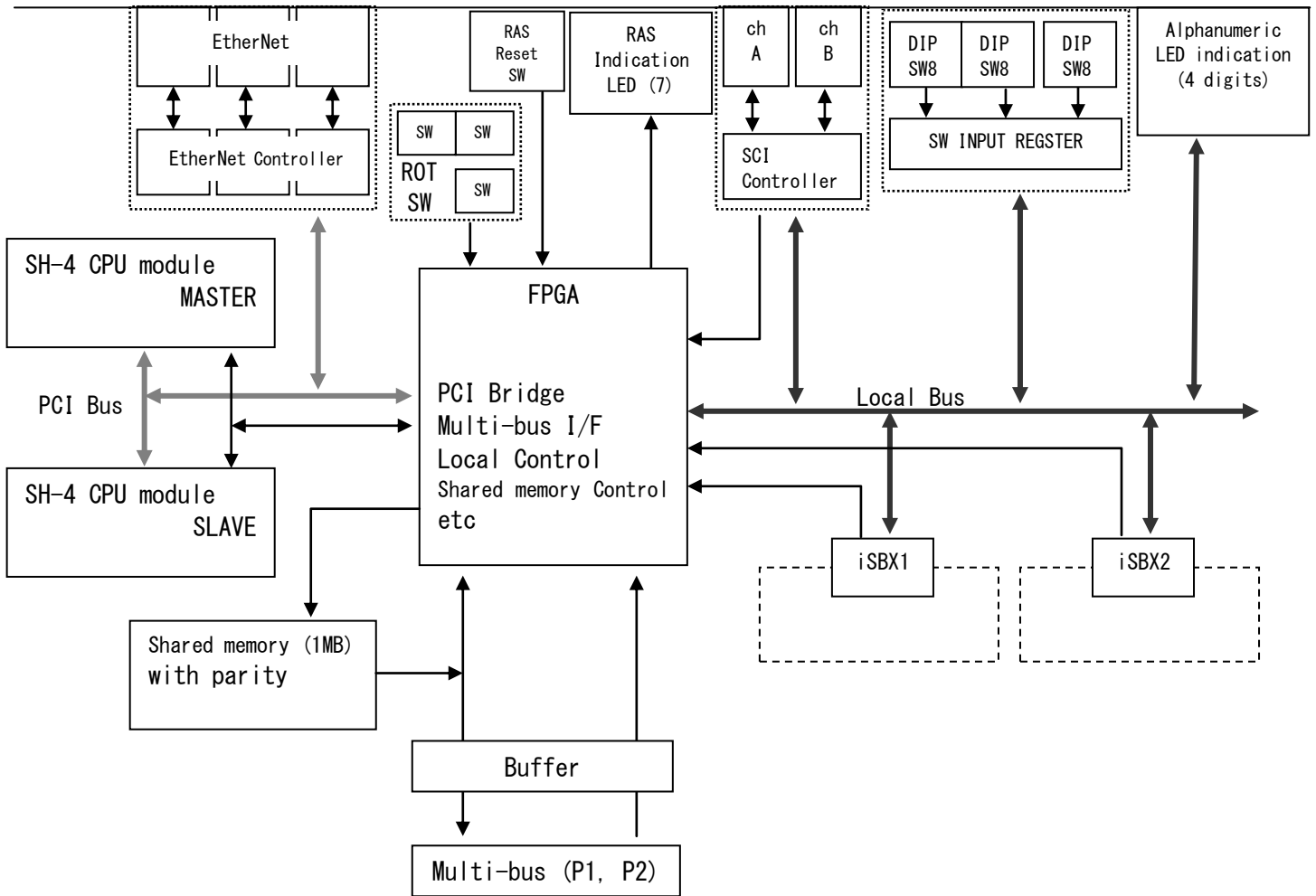
ITEM	SPECIFICATION
CPU	SH4 micro processor × 2
CPU clock /External clock	240MHz /32MHz
Boot ROM	512KB
Compact Flash	256MB standard ※ Must use DIASYS designated products
Main memory	64MB ~ 256MB (Standard:64MB with ECC)
Shared memory	1MB
Interface	RS-232C × 2 10/100 BASE-TX × 3
User interface	Front panel - DIP-switch: 8bit × 1 - Alphanumeric indication : 4 digits - RAS LED : 6 (Red) - RUN LED : 1 (Green) - RAS reset push-switch Onboard - DIP switch : 8bit × 2 - ROT-switch : 3
Self-diagnostic functions	BTO(Bus time-out) CPU clock stop WDT(Watchdog time-out) Power supply voltage low illegal access Memory parity error
Bus standard	(Internal)PCI local bus specification R2.1 Multi-bus(IEEE-796)
Environmental conditions	(Operating) Temperature: 0 ~ 55 °C Humidity: Less than 90 % RH (No condensation) (Storage) Temperature: -40 ~ 70 °C Humidity: Less than 95 % RH (No condensation)
Power supply	DC 5V ±5% / 1.8A DC 12V ±5% (for only add-on iSBX modules)
Dimensions	174 mmD × 304.8 mmH × 25.4 mmW

MBCPU03 CPU card

Multi-bus CPU card

MBCPU03 block diagram

Front panel



Please read the attached instruction manual carefully before use.
 Reproduction of this manual's contents in whole or in part without permission is prohibited.
 Please note the product introductions in this manual may be different from the real product due to product improvements etc.